

TRACKS

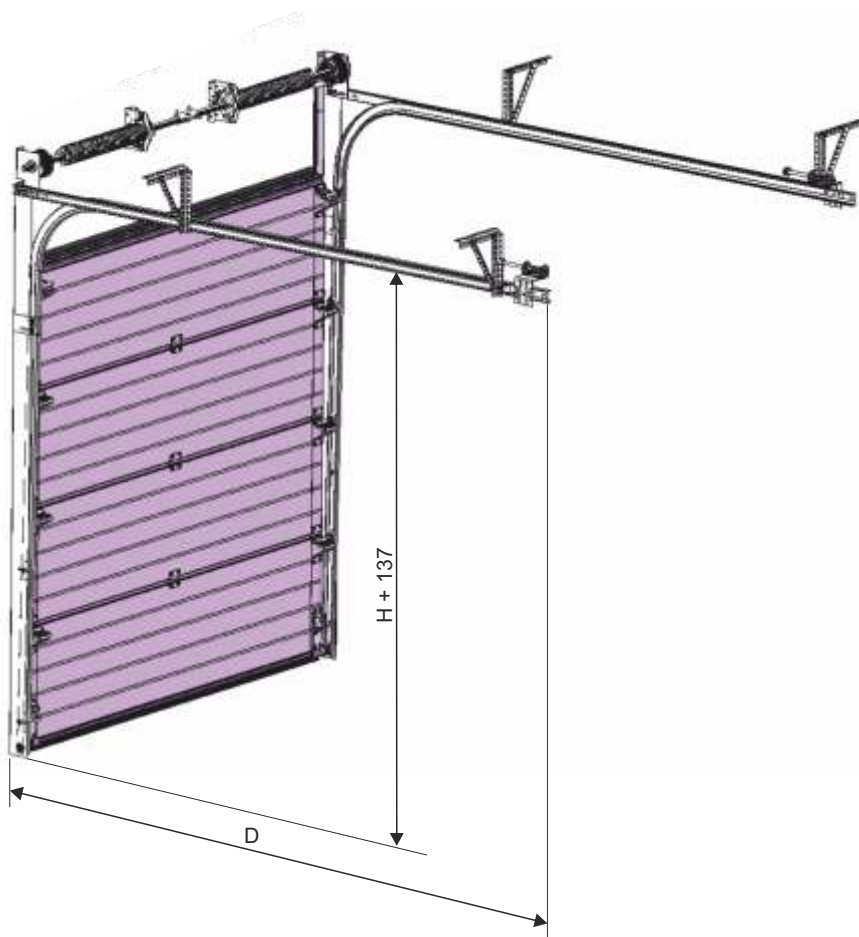
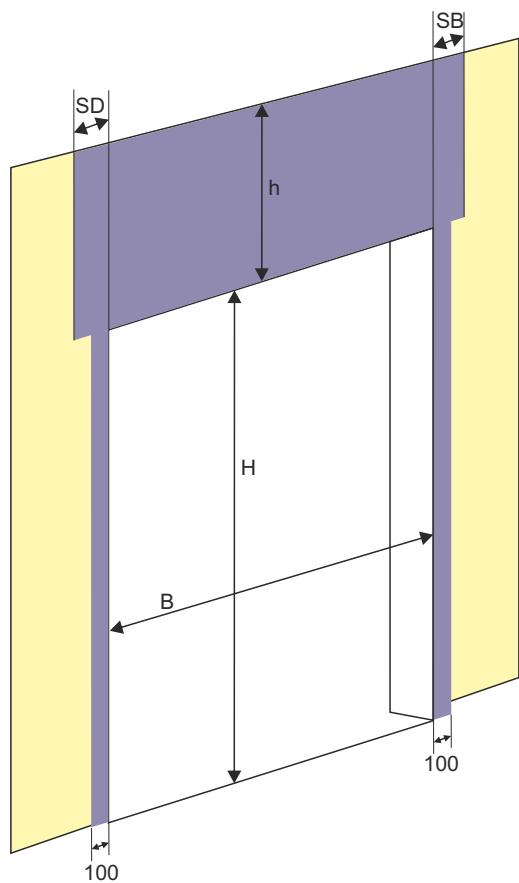


STD

Required sideroom	SB	SD
Manual operation	110	110
Direct drive	110	285
Chain drive	110	245

Number of required suspensions	
Up to depth of 3500 mm	2 suspensions per side
Up to depth of 4500 mm	3 suspensions per side
Up to depth of 5500 mm	4 suspensions per side
Above depth of 5500 mm	5 suspensions per side

	h	D	Opening
$H \leq 3000$	370	$H + 510$	H
$3000 < H \leq 5030$	430	$H + 510$	H
$5030 < H \leq 6000$	505	$H + 510$	H
$H > 6000$ on request			



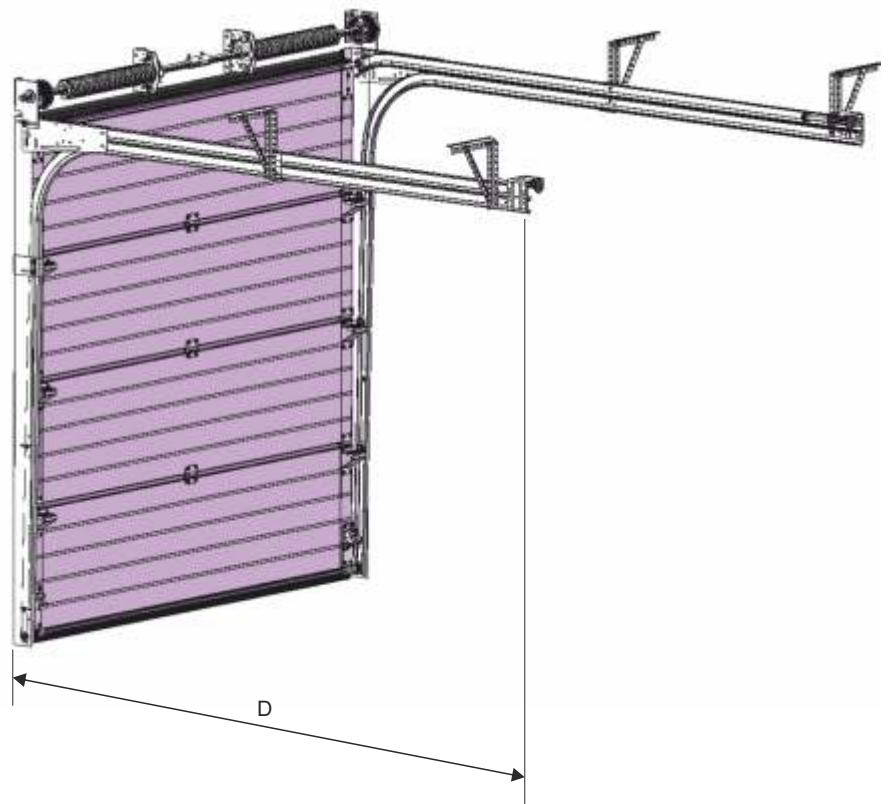
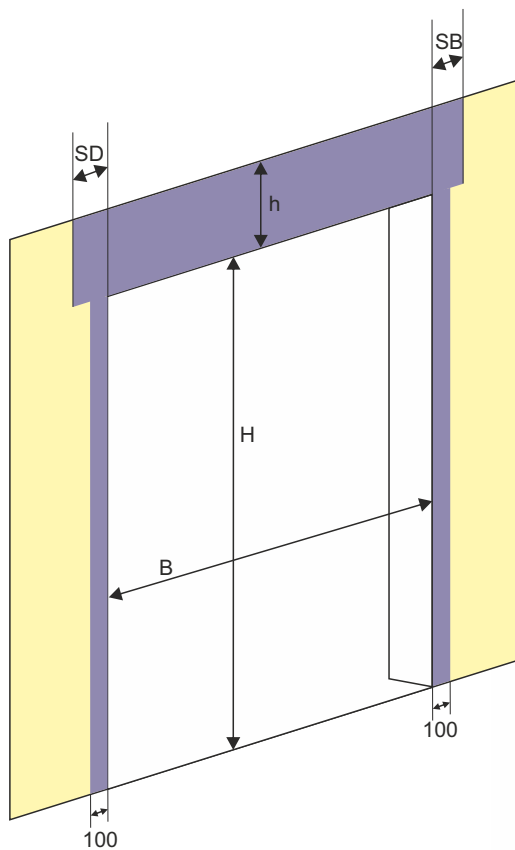
LHR-FM

Required sideroom	SB	SD
Manual operation	110	110
Direct drive	110	285
Chain drive	110	245

Number of required suspensions	
Up to depth of 3500 mm	2 suspensions per side
Up to depth of 4500 mm	3 suspensions per side
Up to depth of 5500 mm	4 suspensions per side
Above depth of 5500 mm	5 suspensions per side

	h	D	Opening
$H \leq 3000$	270	$H+550$	H-130
$3000 < H \leq 5030$	310	$H+550$	H-130
$5030 < H \leq 6000$	385	$H+550$	H-130
$H > 6000$ on request			

$B > 6000$ mm it's not recommended to use cable failure safety device.



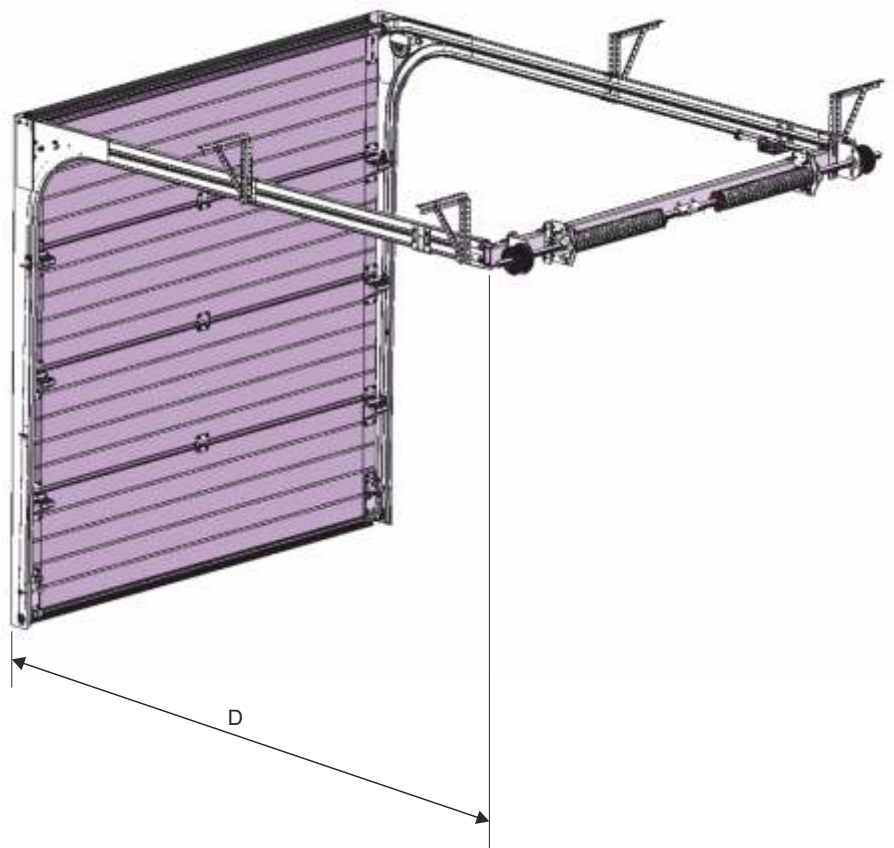
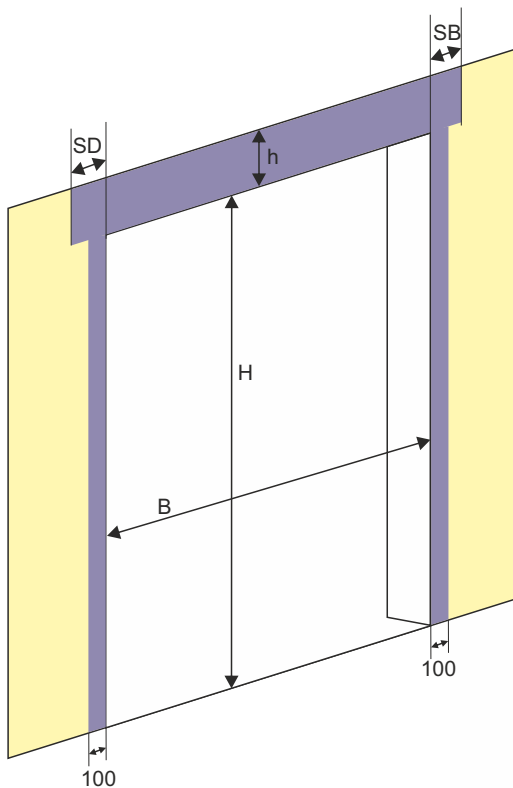
LHR-RM

Required sideroom	SB	SD
Manual operation	110	110
Direct drive	110	285
Chain drive	110	245

Number of required suspensions	
Up to depth of 3500 mm	2 suspensions per side
Up to depth of 4500 mm	3 suspensions per side
Up to depth of 5500 mm	4 suspensions per side
Above depth of 5500 mm	5 suspensions per side

Required headroom	h	D	Opening
Manual operation	120	H+700	H-170
Drive operation	150	H+700	H-170

B > 6000 mm it's not recommended to use cable failure safety device.



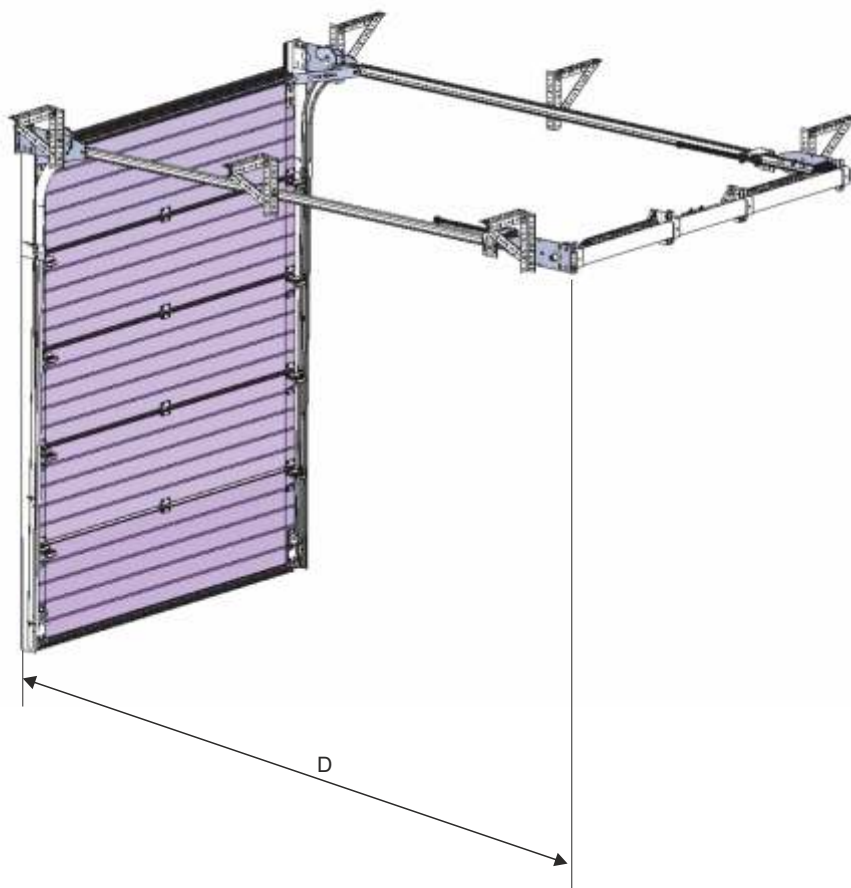
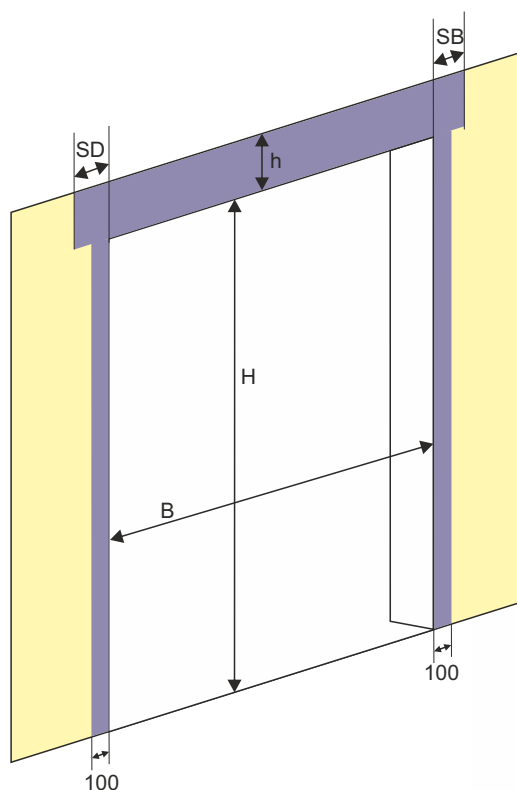
STD-RM

Required sideroom	SB	SD
Manual operation	110	110
Direct drive	110	285
Chain drive	110	245

Number of required suspensions	
Up to depth of 3500 mm	2 suspensions per side
Up to depth of 4500 mm	3 suspensions per side
Up to depth of 5500 mm	4 suspensions per side
Above depth of 5500 mm	5 suspensions per side

Required headroom	h	D	Opening
Manual operation	190	H+1140	H
Drive operation on shaft	190	H+1140	H
With pass door	200	H+1140	H
Drive operation above	235	H+1140	H

B > 6000 mm it's not recommended to use cable failure safety device.

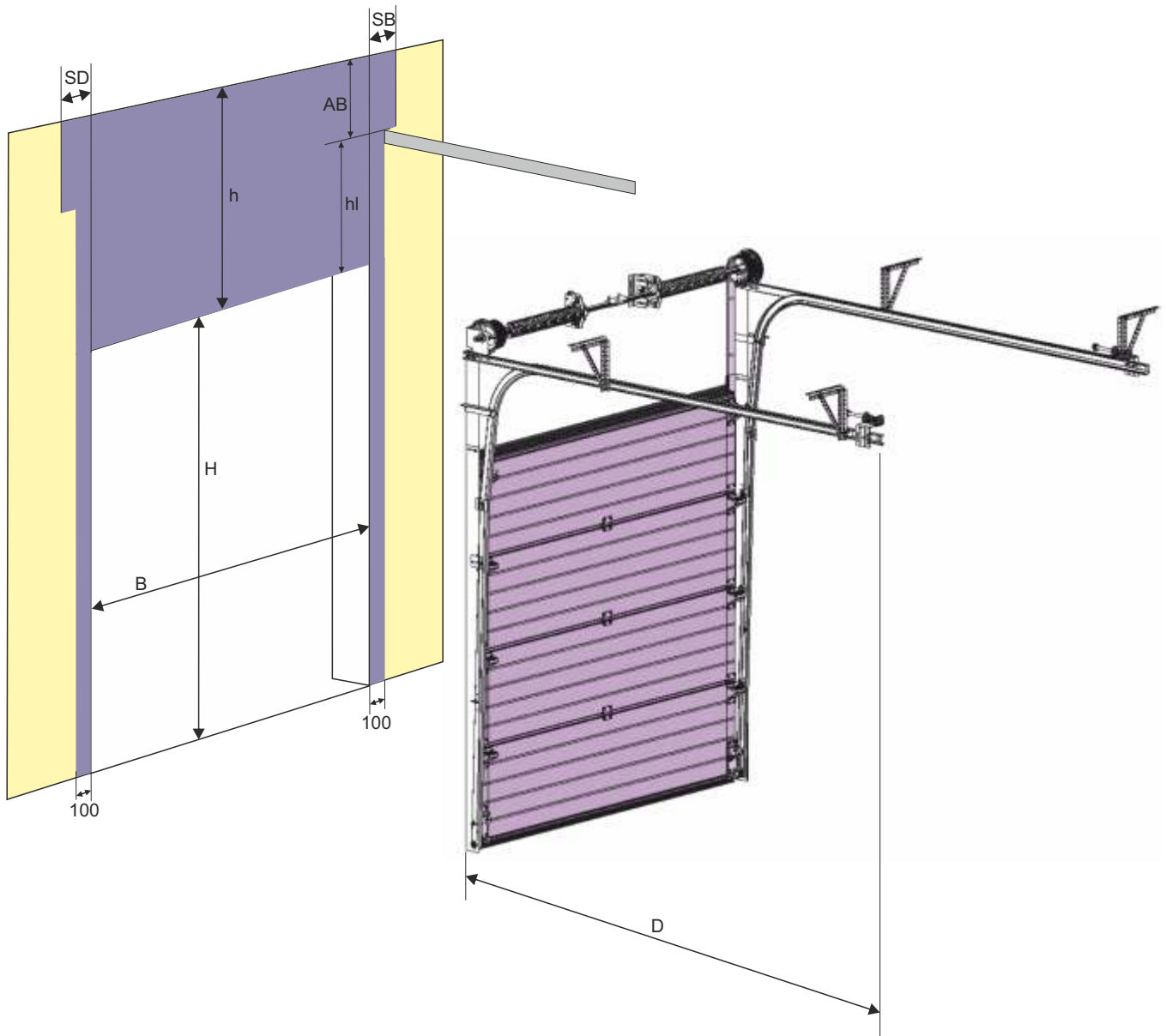


Required sideroom	SB	SD
Manual operation	110	110
Direct drive	110	285
Chain drive	110	245

Number of required suspensions	
Up to depth of 3500 mm	2 suspensions per side
Up to depth of 4500 mm	3 suspensions per side
Up to depth of 5500 mm	4 suspensions per side
Above depth of 5500 mm	5 suspensions per side

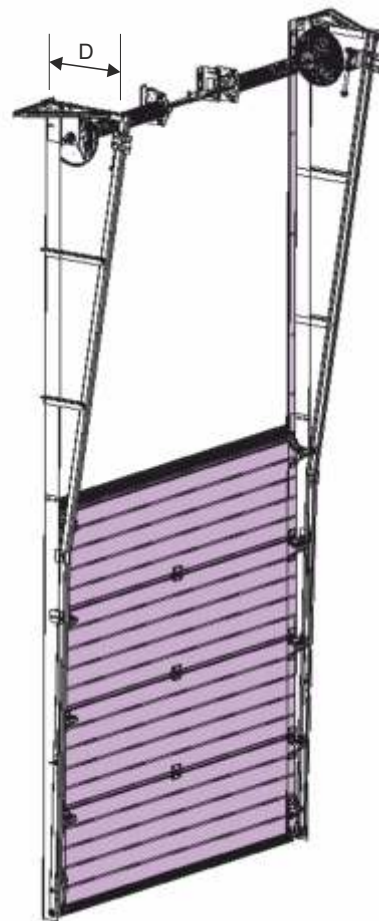
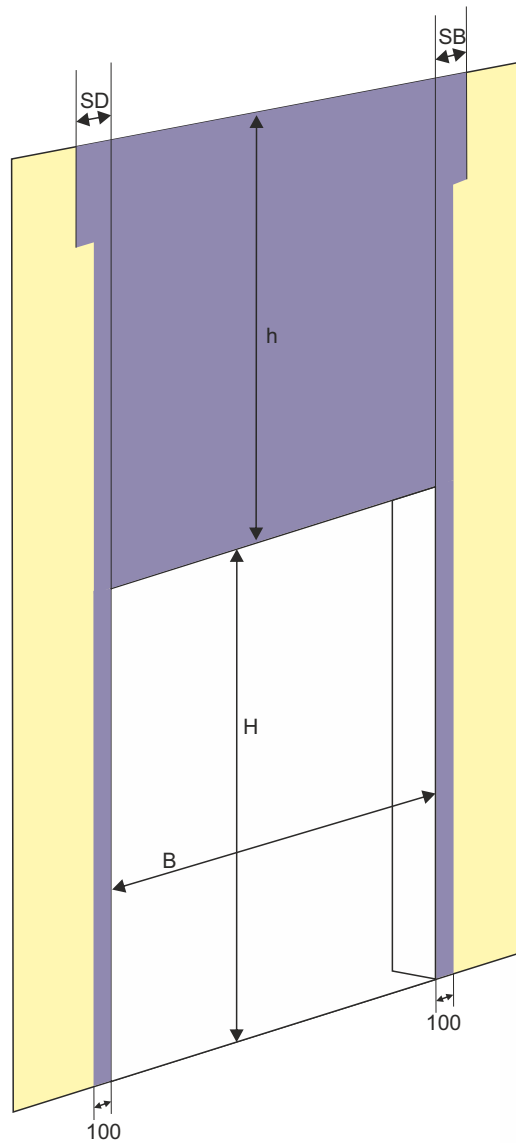
Required headroom	$h = \min 700, \max = 4200$
Opening	H
Installation depth	$D = H - hl + 1010$

$H \leq 4500$	$hl \leq 1370$	AB = 200
$H \leq 6000$	$hl \leq 4200$	AB = 300
$H > 6000$ on request		



Required sideroom	SB	SD
Manual operation	110	110
Direct drive	110	285
Chain drive	110	245

Required headroom	$h = H + 320$
Opening	H
Installation depth	D = 400, $H \leq 3300$ D = 450, $3300 < H \leq 6000$, max weight 500 kg D = 550, $H \leq 6000$, max weight 750 kg H > 6000 on request



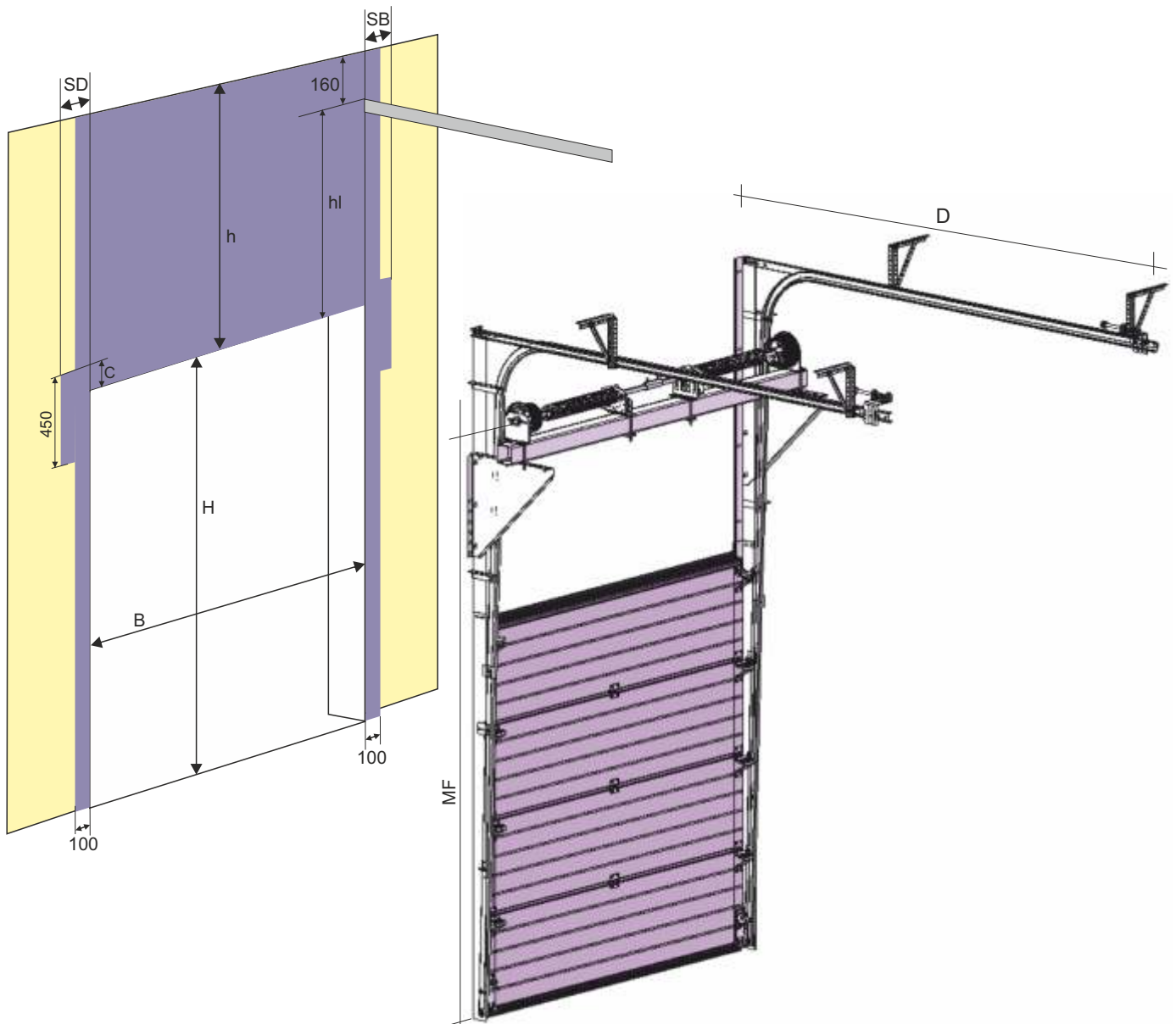
Required sideroom	SB	SD
Manual operation	110	110
Direct drive	110	285
Chain drive	110	245

Number of required suspensions	
Up to depth of 3500 mm	2 suspensions per side
Up to depth of 4500 mm	3 suspensions per side
Up to depth of 5500 mm	4 suspensions per side
Above depth of 5500 mm	5 suspensions per side

Required headroom	$h = \text{min } 1000, \text{ max } = 4200$
Opening	H
Installation depth	$D = H - hl + 1010$

	C	MF
$B \leq 3500$, max weight 200kg	50	$H + (241+282)$
$3500 < B \leq 6000$	(748+789)	$H + 1000$

$B \leq 3500$ it's not recommended to use cable failure safety device.

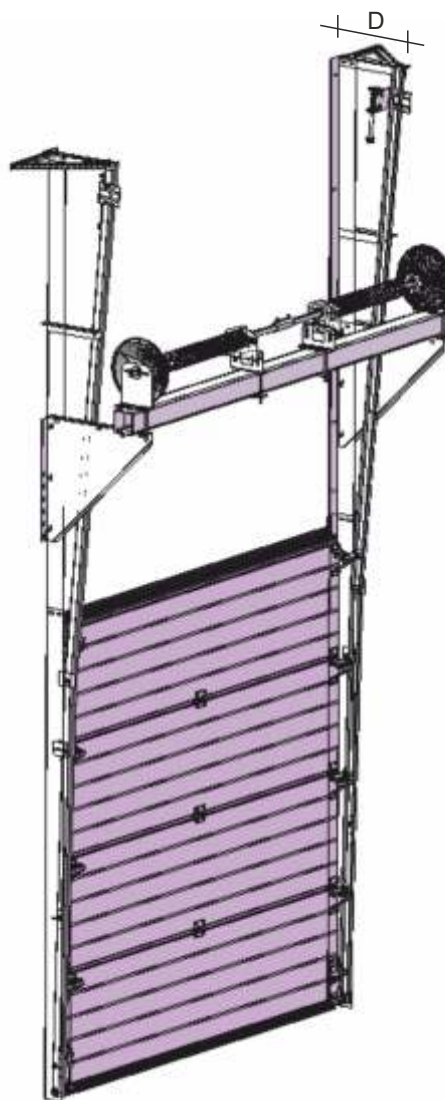
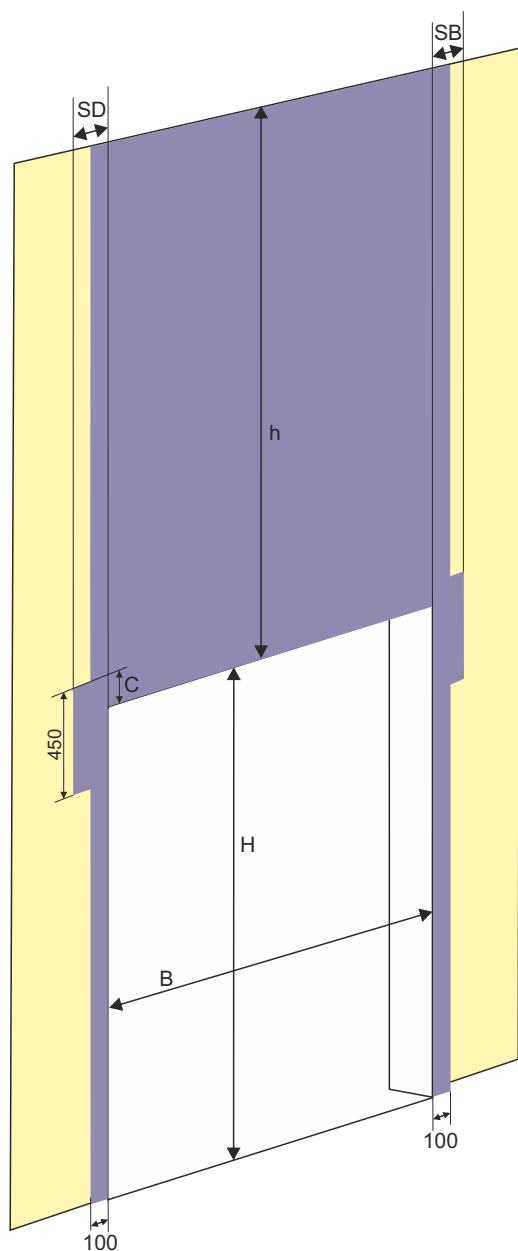


Required sideroom	SB	SD
Manual operation	110	110
Direct drive	110	285
Chain drive	110	245

	C	MF
$B \leq 3500$, max weight 200kg	50	$H + (241 \div 282)$
$3500 < B < 6000$	(748 ÷ 789)	$H + 1000$

$B \leq 3500$ it's not recommended to use cable failure safety device.

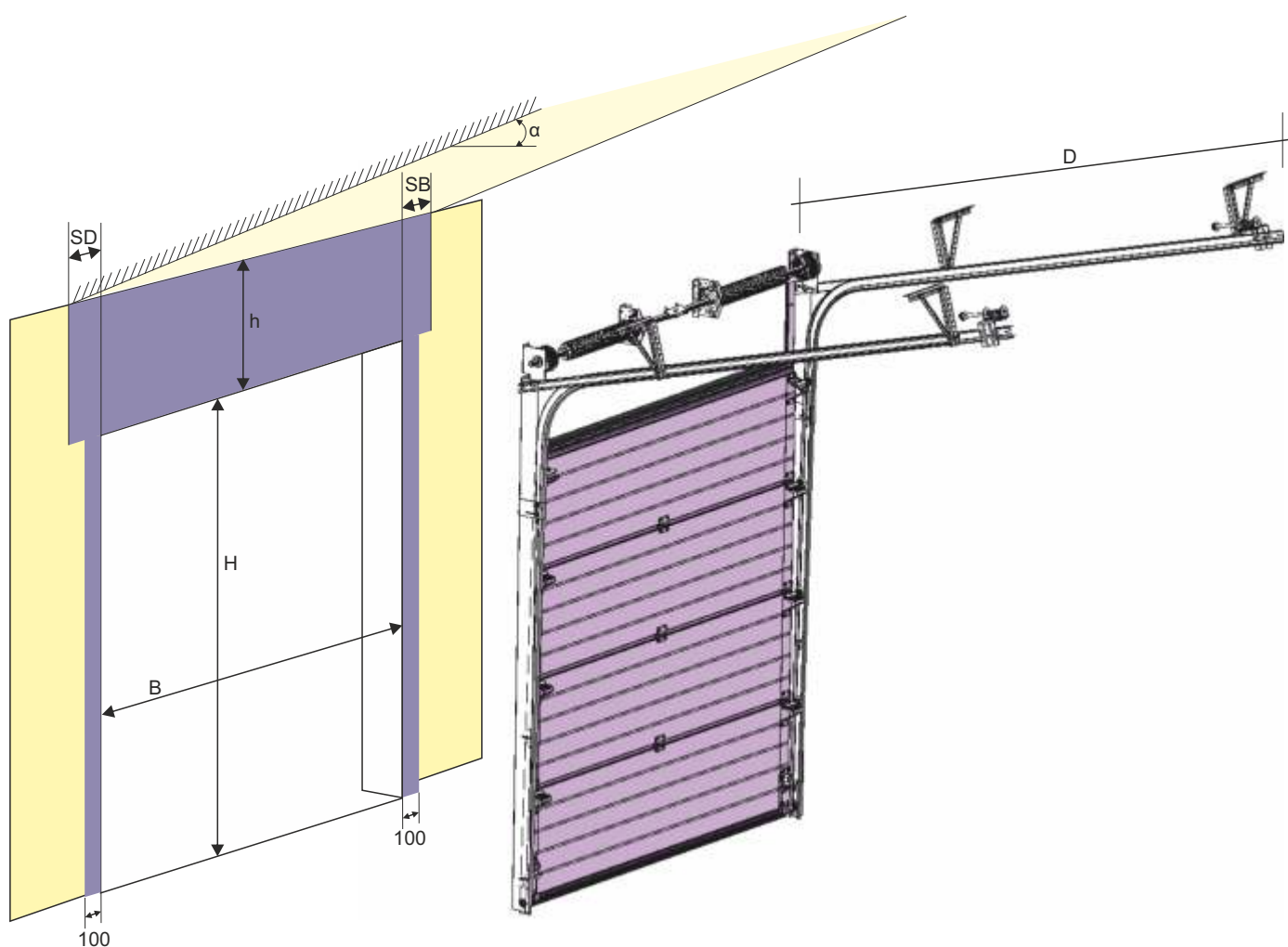
Required headroom	$h = H + 320$
Opening	H
Installation depth	$D = 300$



Required sideroom	SB	SD
Manual operation	110	110
Direct drive	110	285
Chain drive	110	245

Number of required suspensions	
Up to depth of 3500 mm	2 suspensions per side
Up to depth of 4500 mm	3 suspensions per side
Up to depth of 5500 mm	4 suspensions per side
Above depth of 5500 mm	5 suspensions per side

Required headroom	$\alpha \leq 25^\circ$	$25^\circ < \alpha \leq 35^\circ$	$35^\circ < \alpha \leq 45^\circ$	D
$H \leq 2500$	340	340	340	$H + 510$
$2500 < H \leq 5000$	420	420	420	$H + 510$
$5000 < H \leq 6000$	470	470	485	$H + 510$
$H > 6000$	on request			



Required sideroom	SB	SD
Manual operation	110	110
Direct drive	110	285
Chain drive	110	245

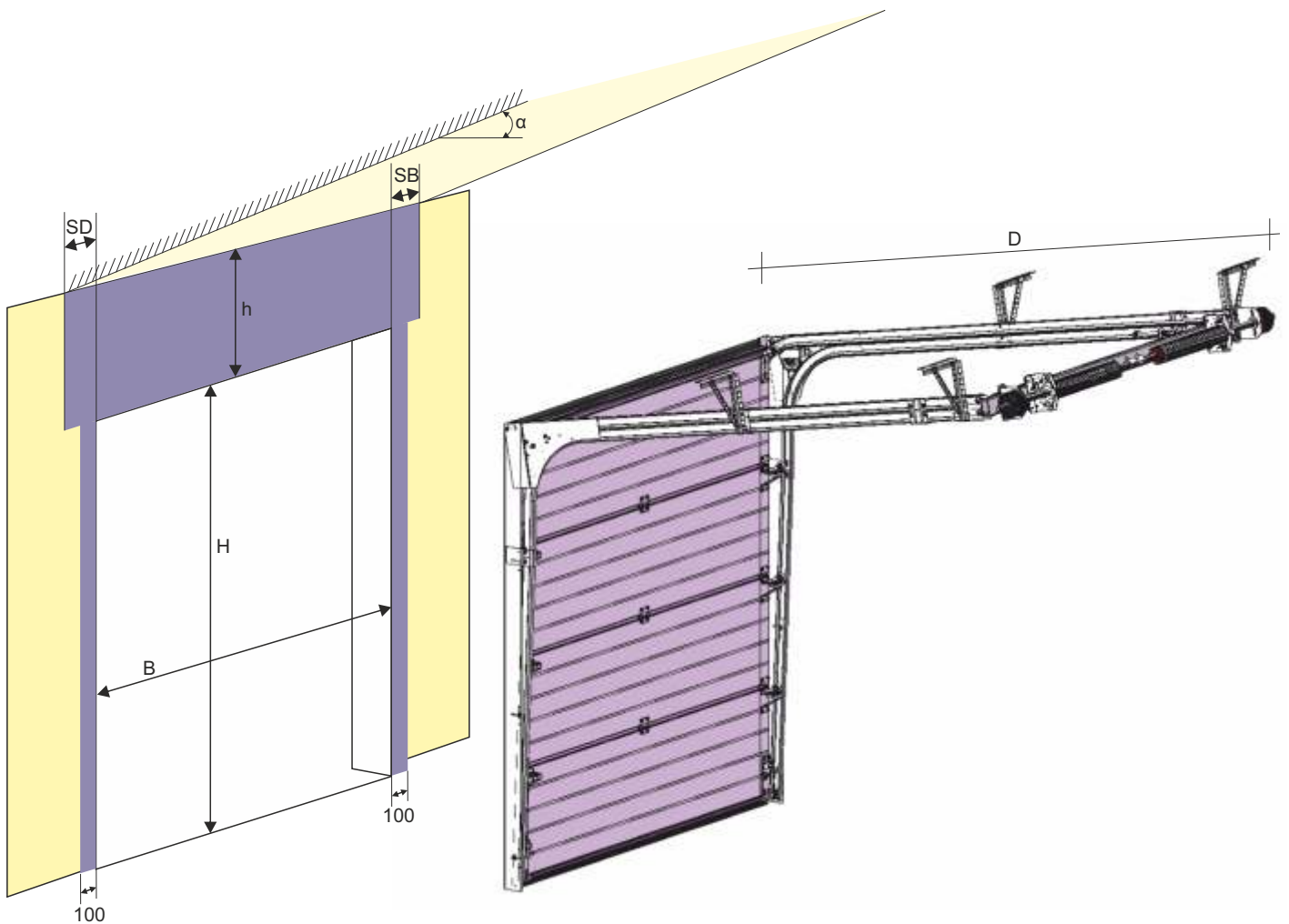
Number of required suspensions	
Up to depth of 3500 mm	2 suspensions per side
Up to depth of 4500 mm	3 suspensions per side
Up to depth of 5500 mm	4 suspensions per side
Above depth of 5500 mm	5 suspensions per side

Required headroom	h	D	Opening
Manual operation	120	H+700	H-170
Drive operation	150	H+700	H-170

Max $\alpha = 15^\circ$

$\alpha > 15^\circ$ on request

B>6000 mm it's not recommended to use cable failure safety device.

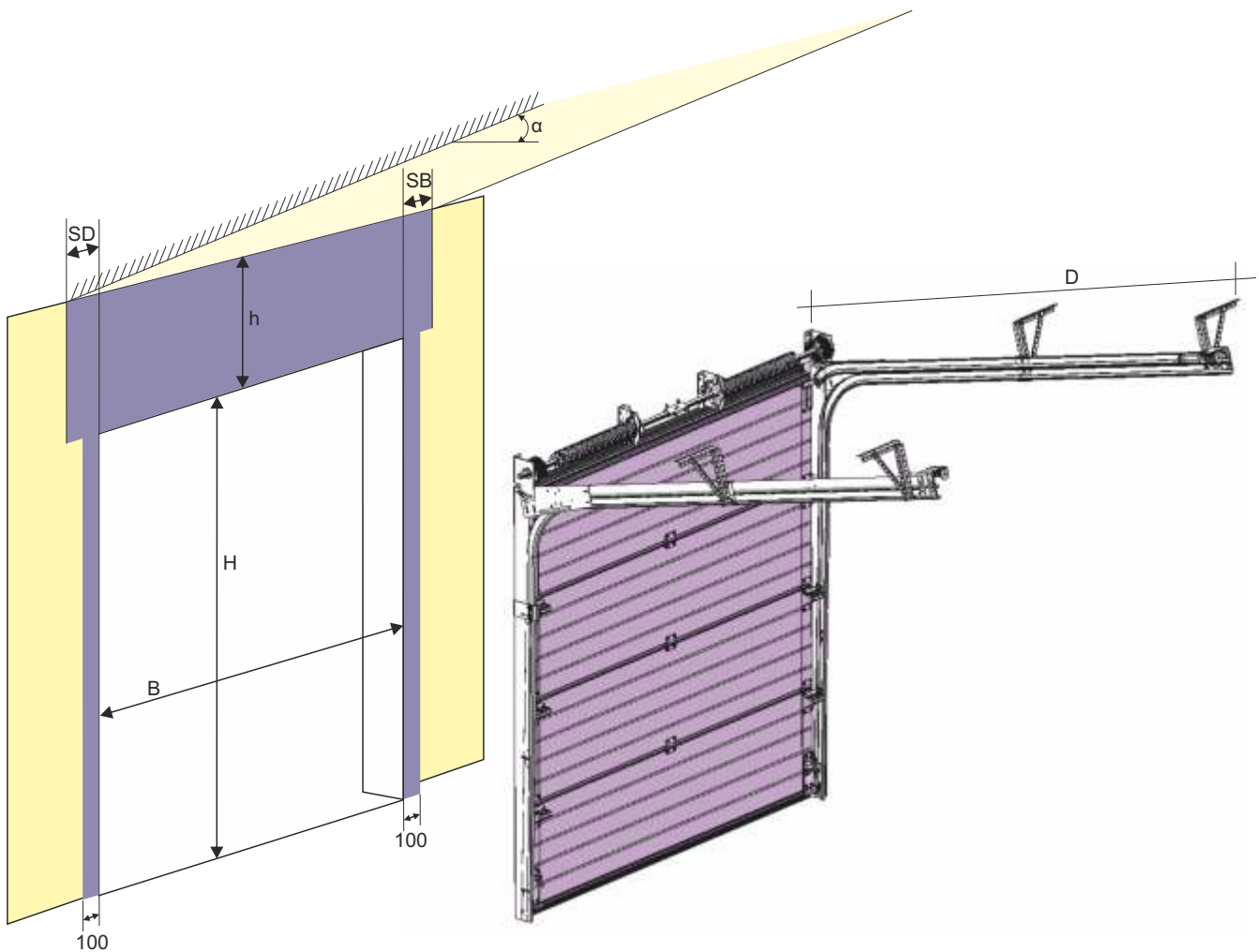


Required sideroom	SB	SD
Manual operation	110	110
Direct drive	110	285
Chain drive	110	245

Number of required suspensions	
Up to depth of 3500 mm	2 suspensions per side
Up to depth of 4500 mm	3 suspensions per side
Up to depth of 5500 mm	4 suspensions per side
Above depth of 5500 mm	5 suspensions per side

Required headroom	$\alpha \leq 25^\circ$	$25^\circ < \alpha \leq 35^\circ$	$35^\circ < \alpha \leq 45^\circ$	D	Opening
$H \leq 2500$	265	340	360	H + 550	H - 130
$2500 < H \leq 5000$	320	360	420	H + 550	H - 130
$5000 < H \leq 6000$	380	440	500	H + 550	H - 130
$H > 6000$	on request				

B>6000 mm it's not recommended to use cable failure safety device.



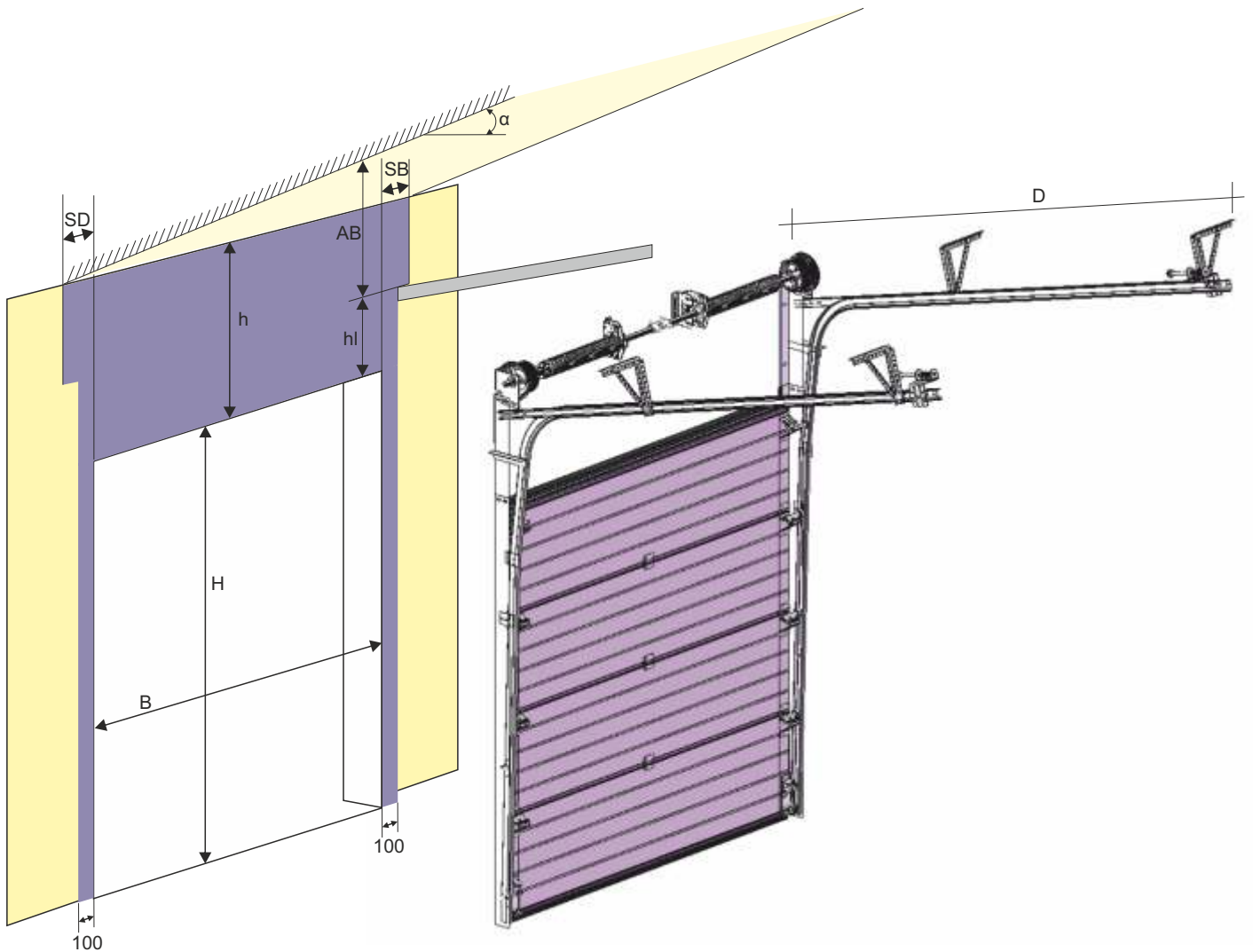
Required sideroom	SB	SD
Manual operation	110	110
Direct drive	110	285
Chain drive	110	245

Number of required suspensions	
Up to depth of 3500 mm	2 suspensions per side
Up to depth of 4500 mm	3 suspensions per side
Up to depth of 5500 mm	4 suspensions per side
Above depth of 5500 mm	5 suspensions per side

Required headroom	$h = \min 800, \max = 4200$
Opening	H
Installation depth	$D = H - hl + 1010$

$H \leq 4500$	$hl \leq 1370$	AB = 200
$H \leq 6000$	$hl \leq 4200$	AB = 300
H > 6000 on request		

Max $\alpha = 45^\circ$



Required sideroom	SB	SD
Manual operation	110	110
Direct drive	110	285
Chain drive	110	245

Number of required suspensions	
Up to depth of 3500 mm	2 suspensions per side
Up to depth of 4500 mm	3 suspensions per side
Up to depth of 5500 mm	4 suspensions per side
Above depth of 5500 mm	5 suspensions per side

Required headroom	$h = \text{min } 1800, \text{ max } = 4200$
Opening	H
Installation depth	$D = H - hl + 1010$

$B \leq 6000$	C: 748 ÷ 789	MF = H + 1000
$B > 6000$ on request		

Max $\alpha = 45^\circ$

