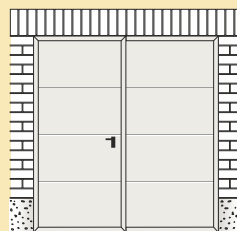
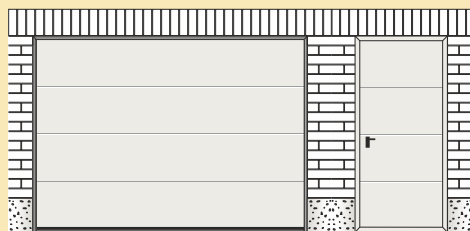
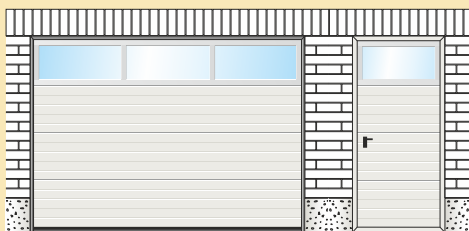


SIDE DOORS

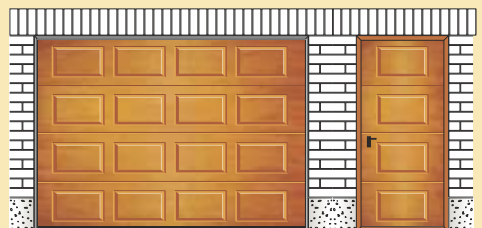
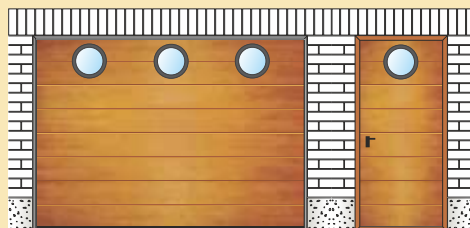
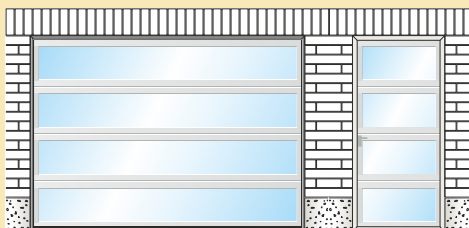


Match the style

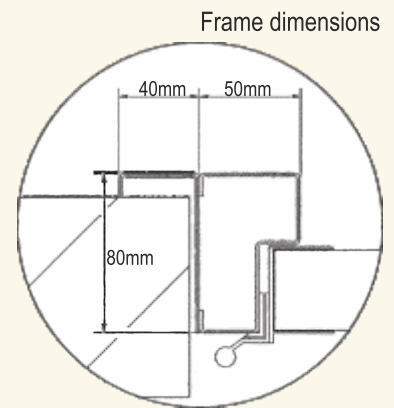
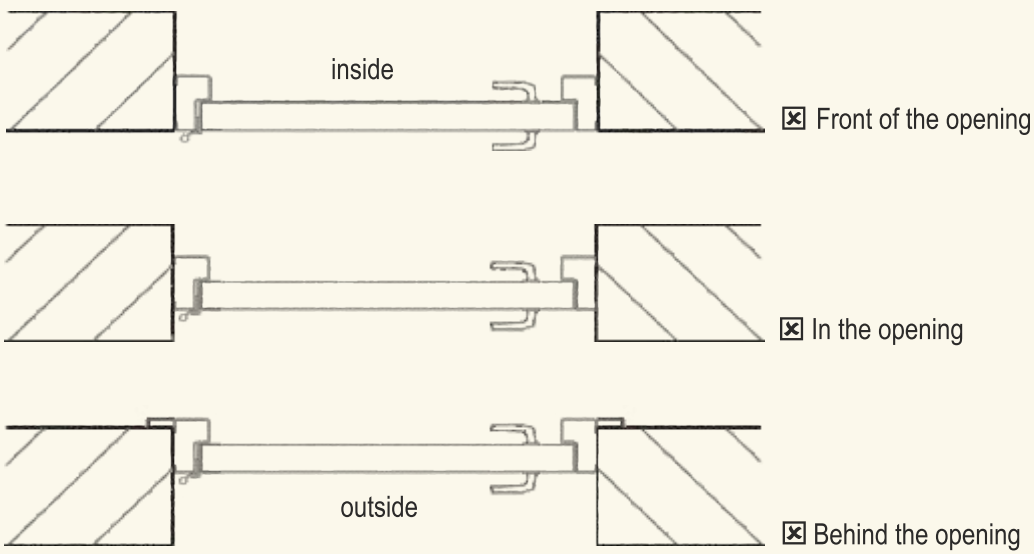
Ryterna offers side doors to match any model of it's sectional garage doors or industrial doors.
 Ryterna side doors made of PU insulated 40 mm thick sectional door panels surrounded with aluminium profiles, and all-round rubber seals. Side door panels and windows are aligned with sectional door panels or windows.



Double wide side doors available upon request.

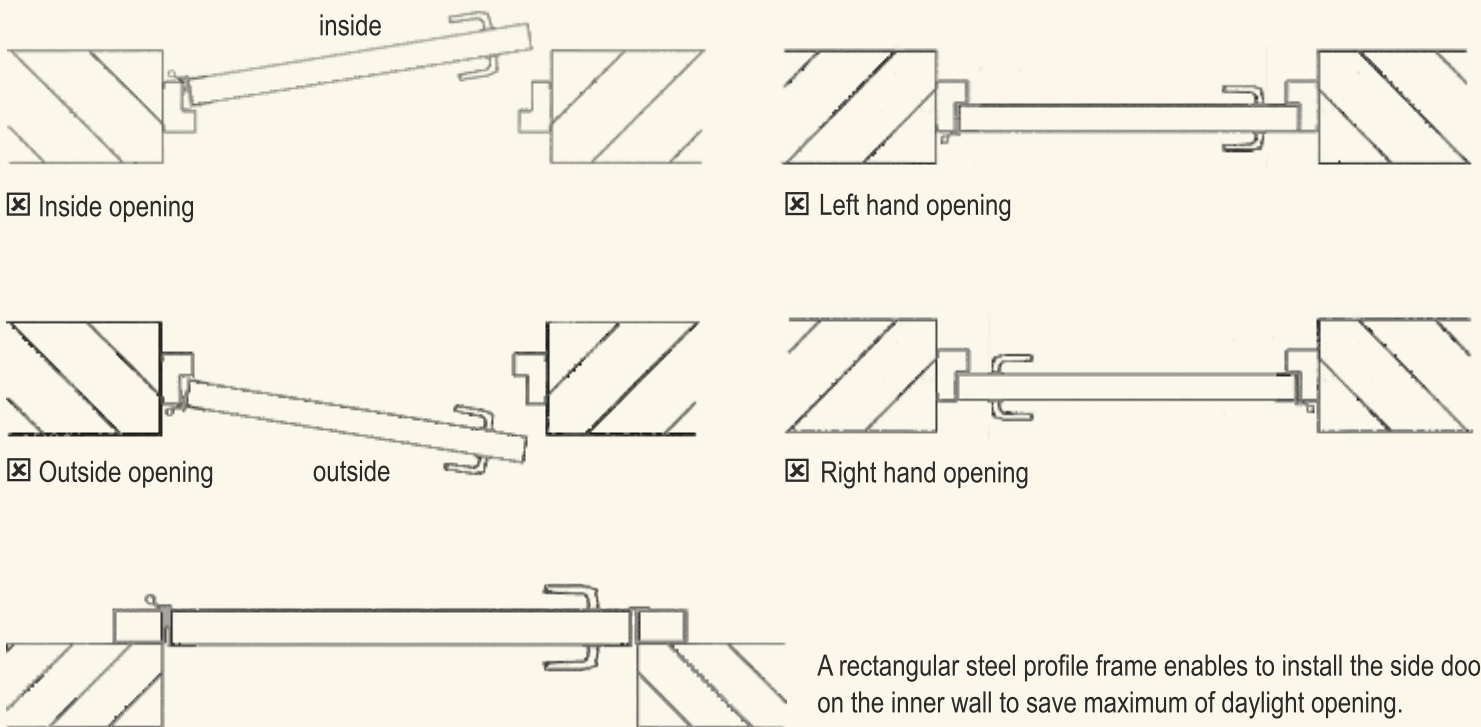


Positioning of the side door in the opening



Opening side

(Left / Right)



Door frame can be ordered with or without edging.

Easy fitting to side walls.

Hinges with springs.

Hands standart colours: silver, black, white. Other colours upon request.



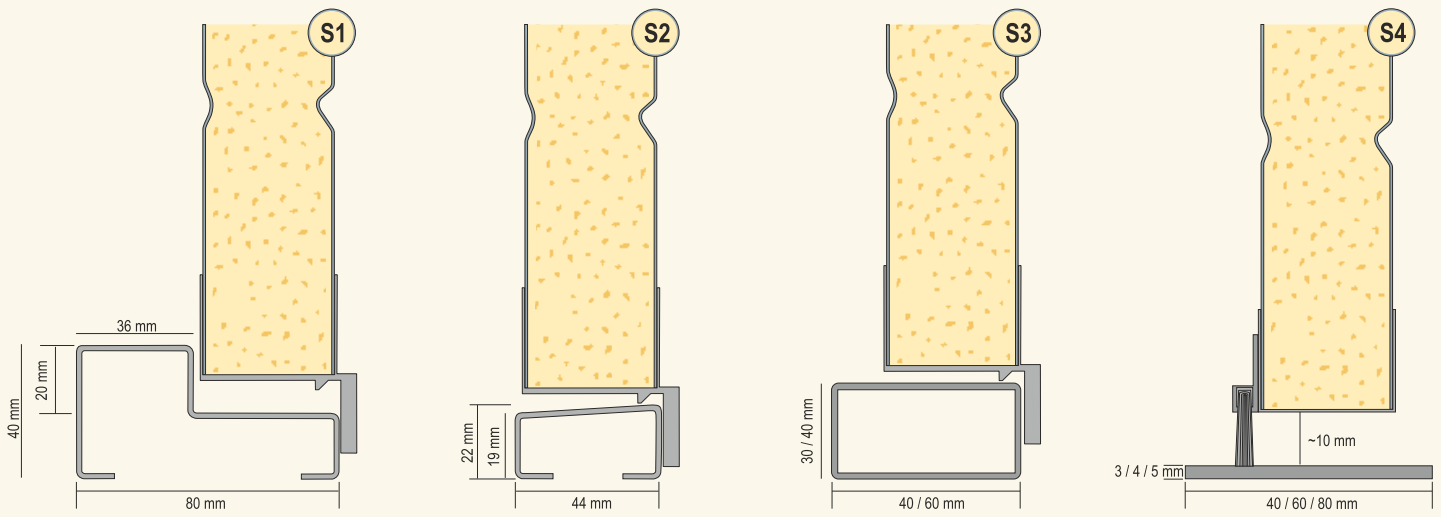
Without edging



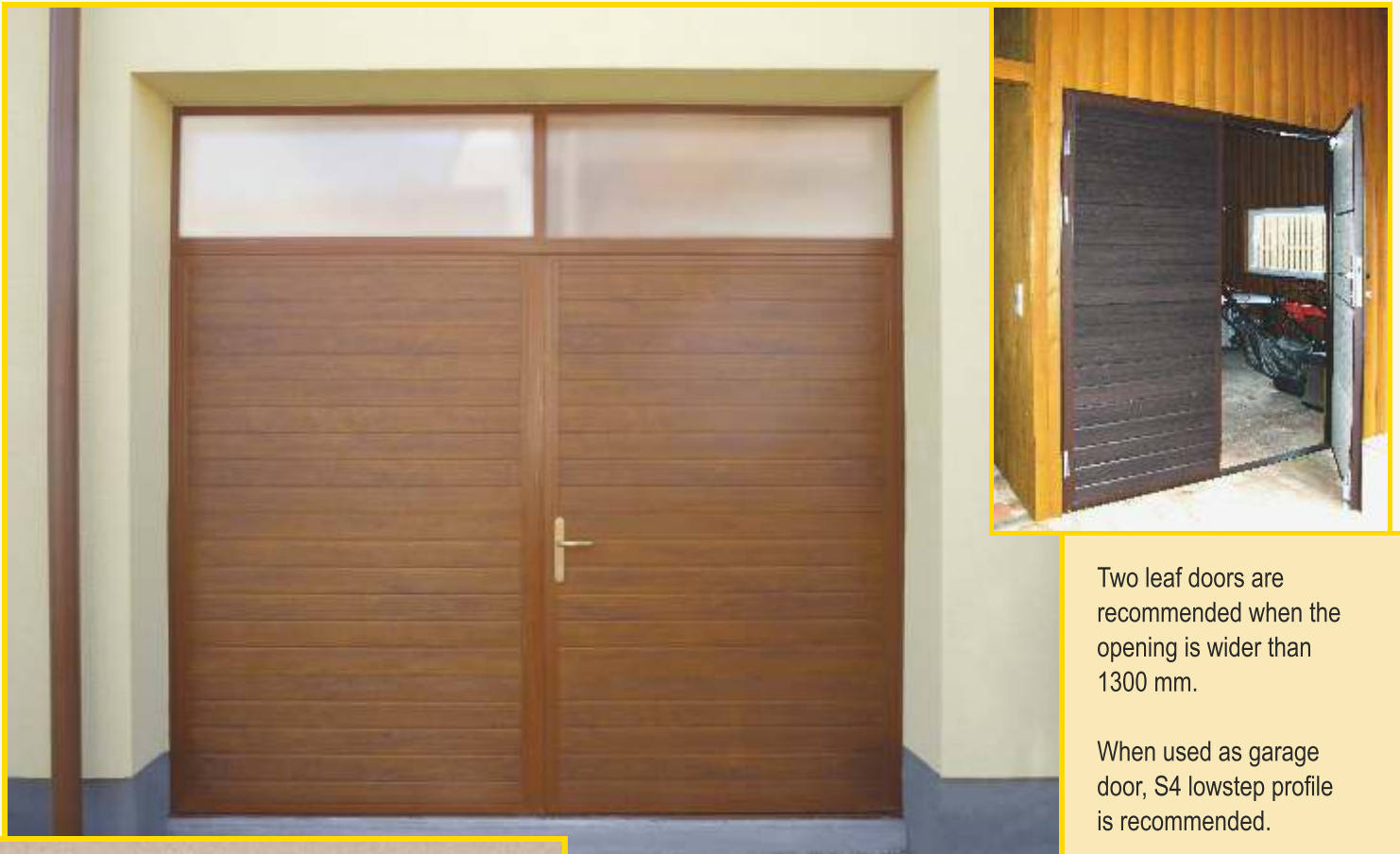
With edging



Side doors step types



Two leaf swing doors

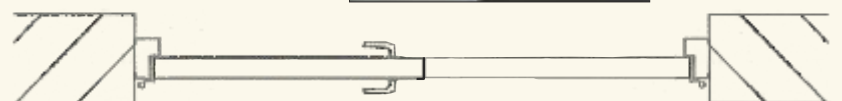


Two leaf doors are recommended when the opening is wider than 1300 mm.

When used as garage door, S4 lowstep profile is recommended.



Locking of the fixed door leaf. Top / bottom.



Side doors with anti-panic locking system

CENTRAL LOCKING



Anti-panic locking system enables to open door just from inside.
From outside must be used the key.



3 SIDES LOCKING

Ryterna UAB

Vandžiogalos str. 84
LT - 47480 KAUNAS, Lithuania
Phone: +370 37 490997
Fax: +370 37 490991
e-mail: info@ryterna.eu

www.ryterna.eu

