



## PERFORATED SECTIONAL DOOR

www.ryterna.com



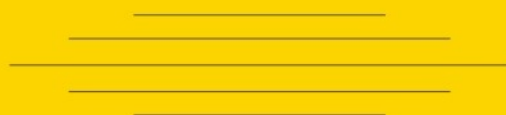
Model **TLT**



TLT sectional door is designed for premises that require intensive ventilation, such as underground garages and car parks. Alu-frame with perforated, galvanized and coated steel sheets provides required air flow.

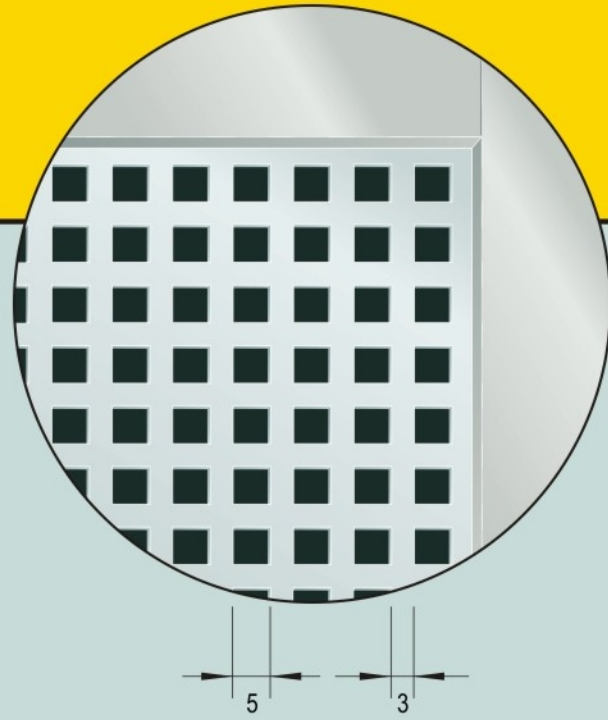
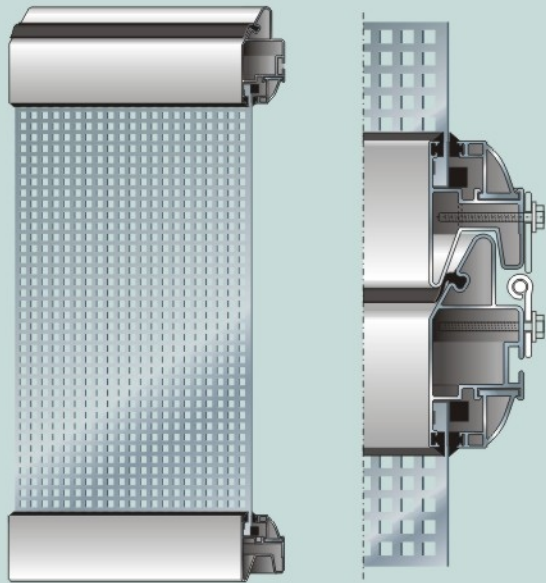


**RYTERNA**

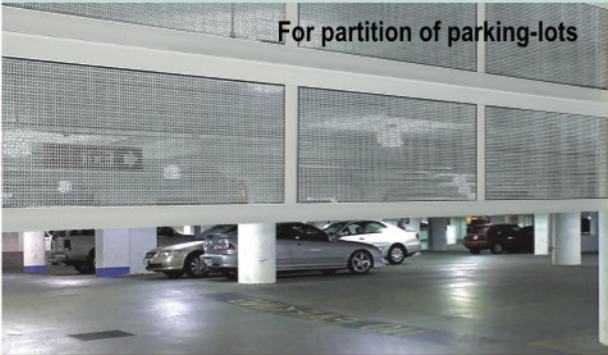




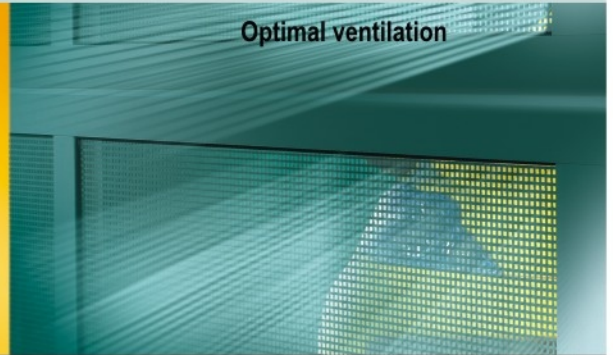
Low headroom track system fits in 180mm lintel (230mm with operator).



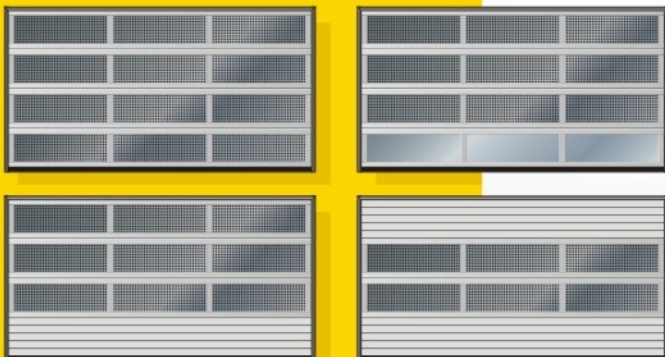
40 mm thick Aluminum frame with perforated sheets. Standard colour Anodized aluminum. Other RAL colours available on request. Standard lifetime of springs - 20.000 cycles (available up to 100.000 cycles).



For partition of parking-lots



Optimal ventilation



TLT door may be also ordered with different number and spacing of ventilation panels.

