

RY

PERFORATED SECTIONAL DOOR

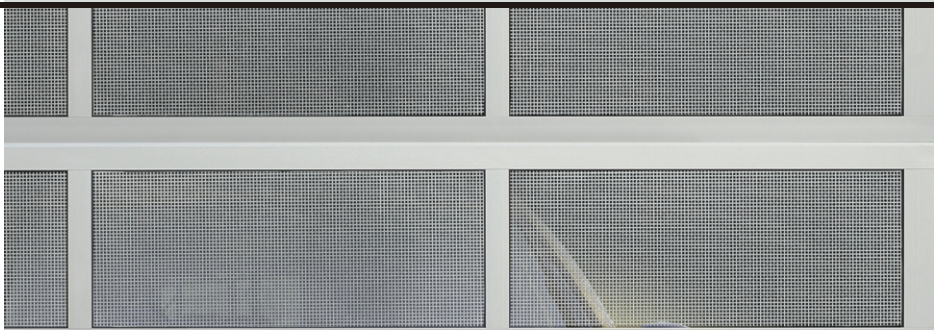
www.ryterna.com



Model **TLT**

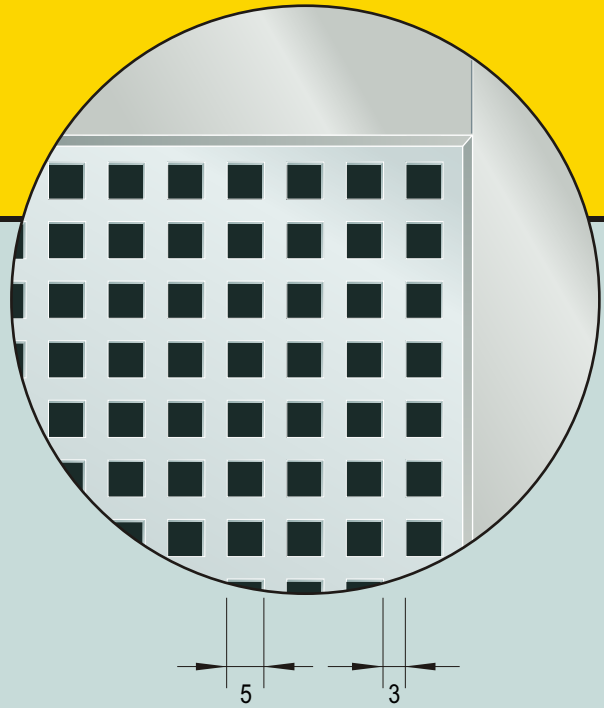
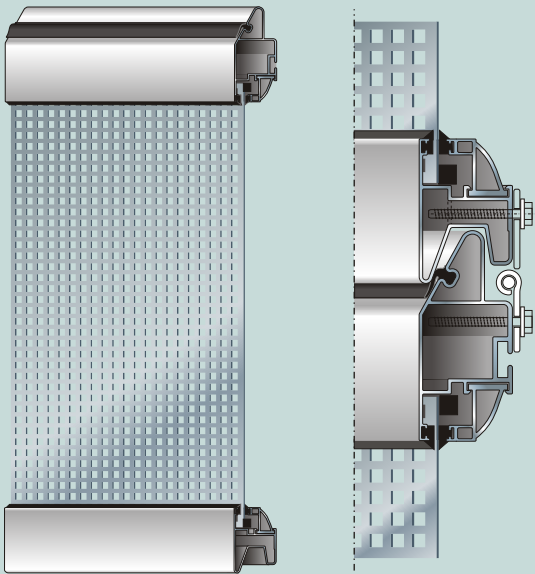


TLT sectional door is designed for premises that require intensive ventilation, such as underground garages and car parks. Alu-frame with perforated, galvanized and coated steel sheets provides required air flow.



**RYTERNA**

Low headroom track system fits in 180 mm lintel (230 mm with operator).

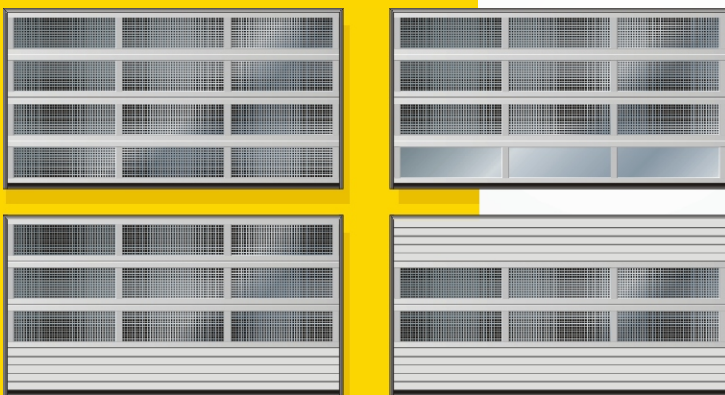
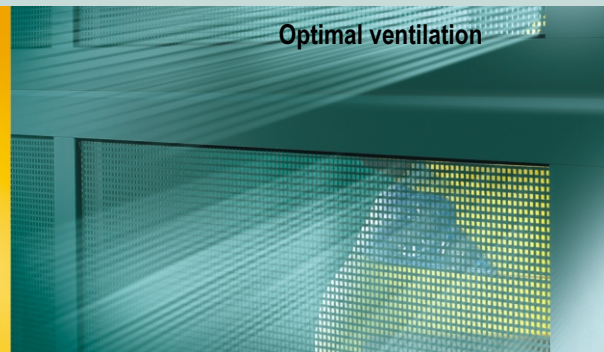


40 mm thick Aluminum frame with perforated sheets. Standard colour - anodized aluminum. Other RAL colours available on request. Standard lifetime of springs - 20.000 cycles (available up to 100.000 cycles).

For partition of parking-lots



Optimal ventilation



TLT door may be also ordered with different number and spacing of ventilation panels.

