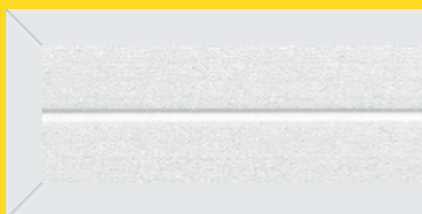


## CONTENT



02 \_ TOP SEAL OPTIONS



03 \_ FASCIA PANEL



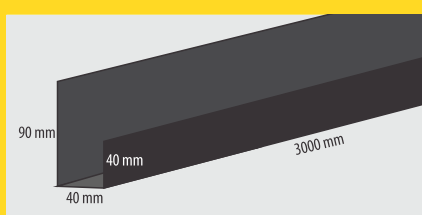
04 \_ ALU LINTEL PROFILE



05 \_ FULL ALU FRAME

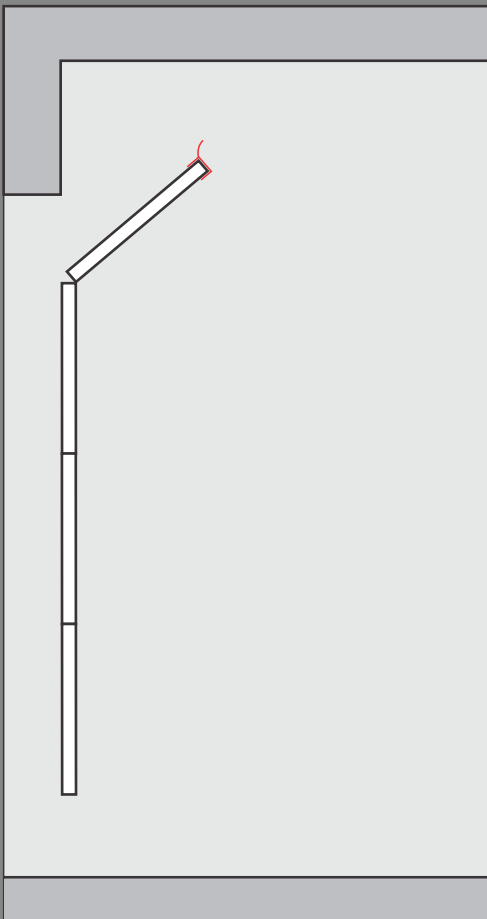


06 \_ PVC LINTEL PROFILE

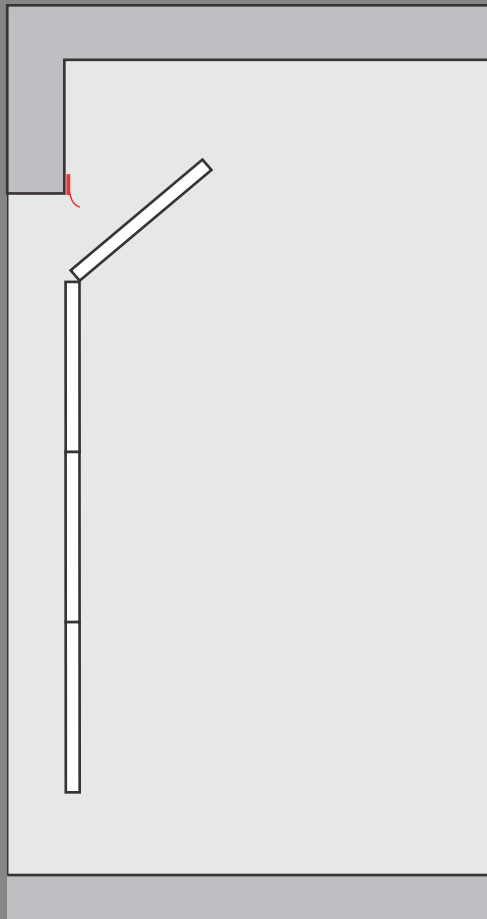
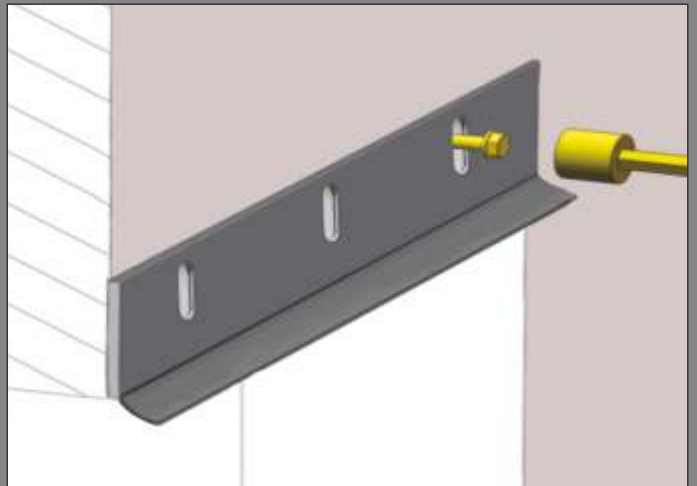


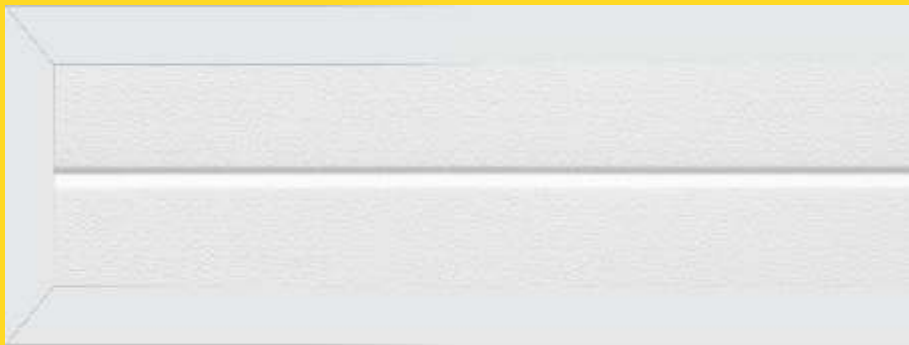
07 \_ STEEL SEAL PROFILES

Top Seal on the top panel



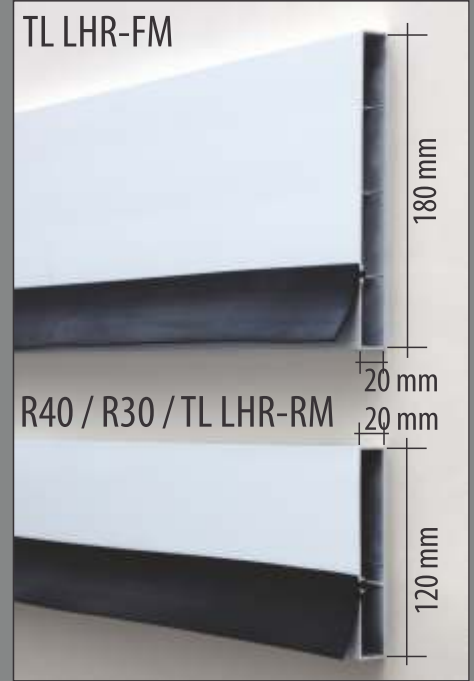
Top Seal on the lintel



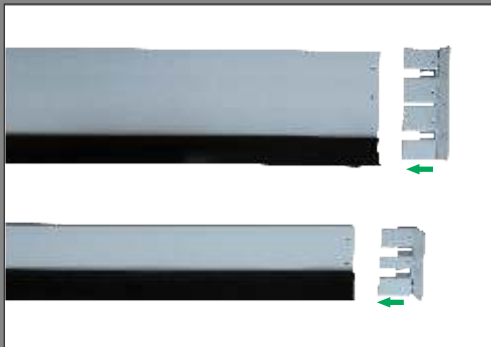


Made of garage door panel, framed in door colour aluminium profile. Size - not limited.

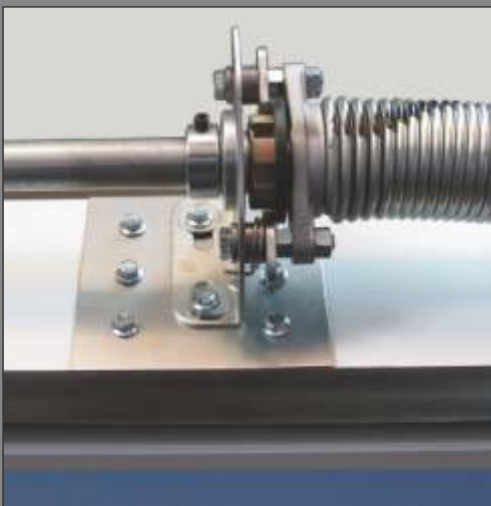




ALU Lintel profile mounting brackets



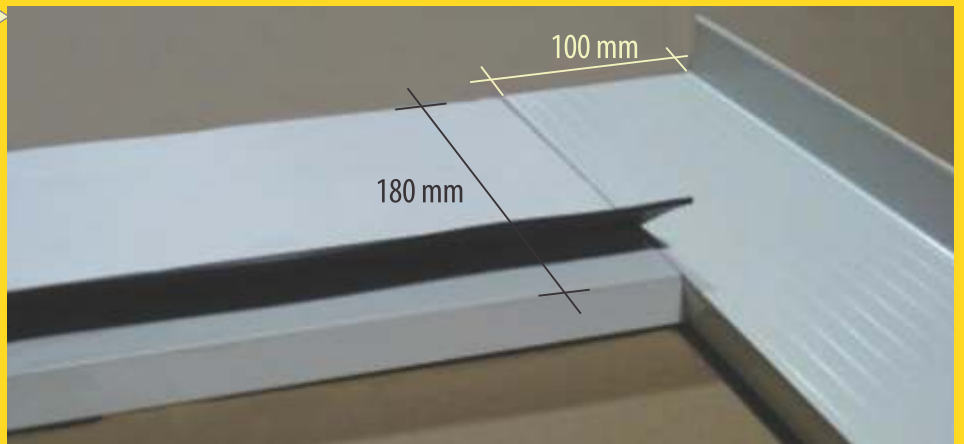
Reinforcement plate for springs included

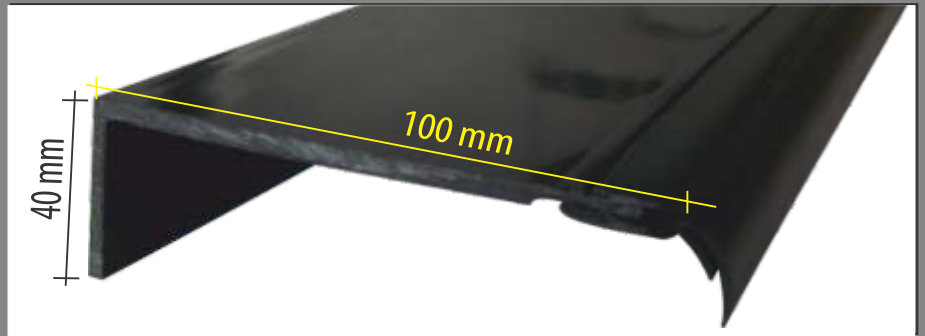






Lintel + post.  
Lintel 120 mm (suitable for TL LHR RM and R40).  
Lintel 180 mm (suitable for TL LHR FM).  
Posts 100 mm  
Max sizes: 3000 x 2500 and 5000 x 2500 mm.





**Optional** – with a steel sheet in door colour and surface (woodgrain / stucco).

